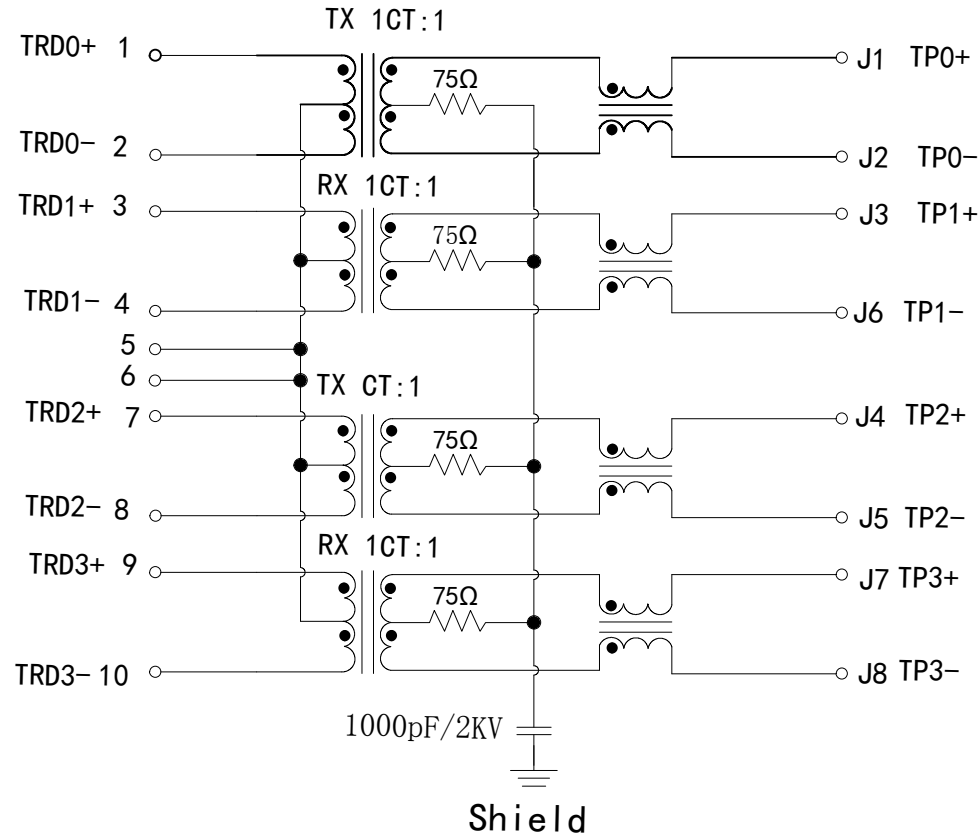


Schematic:

REV.	ECN NO.	DESCRIPTION	DATE	APPD
A	REL		17/12/2009	

PC BOARD CONNECTIONS



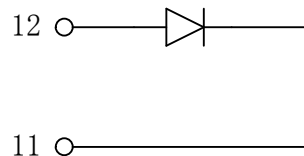
RJ45 CONNECTOR

Electrical Specifications @25°C

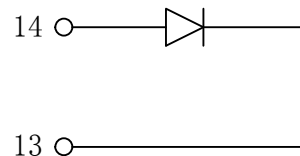
- Turns Ratio ($\pm 2\%$) :
TX=1CT:1CT RX=1CT:1CT
- OCL: 350uH Min
@100KHz/0.1V With 8mA DC Bias
- Return Loss(dB MIN) :
1-30MHz:-18 30-60MHz:-16
60-80MHz:-12 80-100MHz:-10
- Crosstalk(dB MIN) :
1-30MHz:-40 30-60MHz:-35
60-100MHz:-30
- Insertion Loss:
1-100MHz:-1.0dB MAX
- CMR(dB MIN) :
1-50MHz:-40 50-150MHz:-30
- Hipot: 1500Vrms
- Operating Temperature: 0°C ~+70°C.



GREEN/LEFT LED



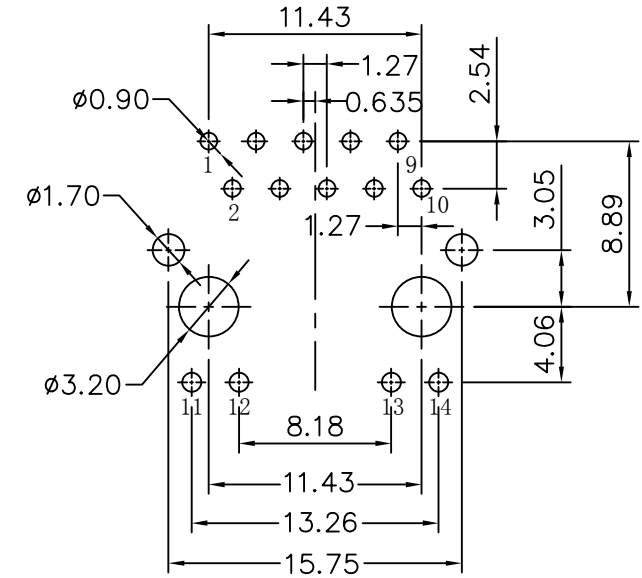
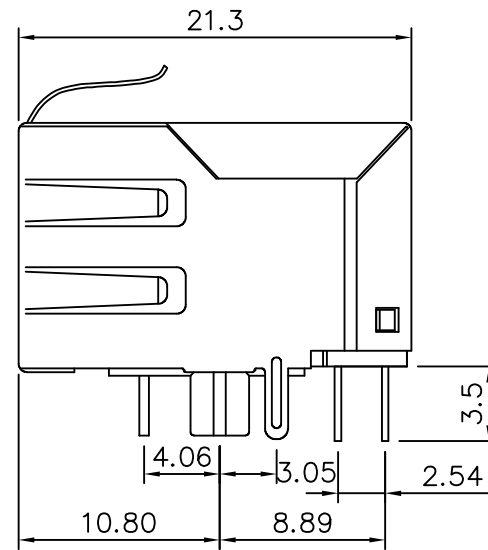
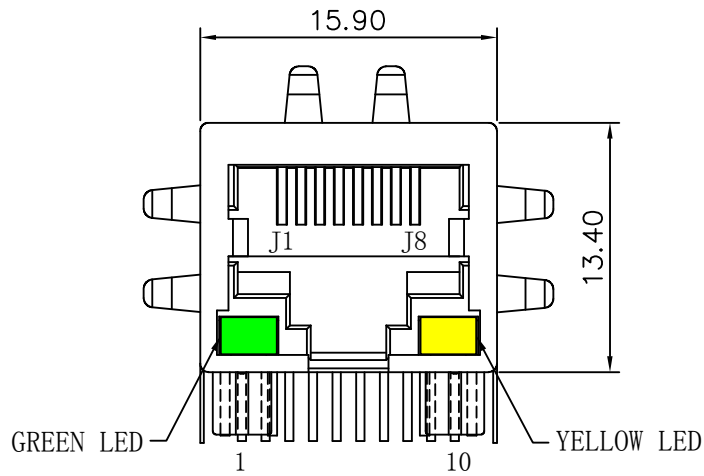
YELLOW/RIGHT LED



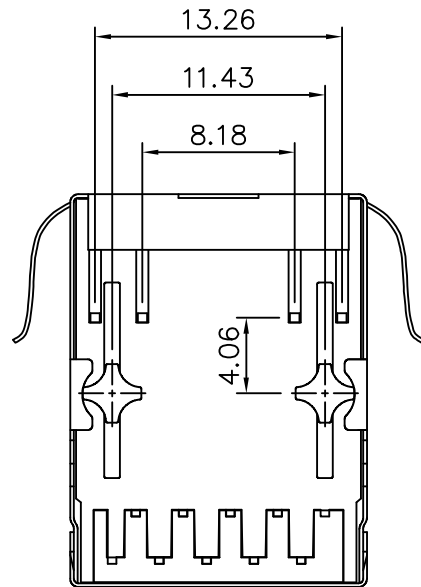
X:X	± 0.30	APPD:	LINK-PP INT'L TECHNOLOGY CO., LIMITED	
X:XX	± 0.20	CHKD:	TITLE: RJ45 Connector with 1000 Base-T Integrated Magnetics	
X:XXX	± 0.05	DR: TOM	PART NO. : LPJG0801GHNL	
ANGLES	$\pm 1^\circ$	UNIT: mm		
	SCALE: 2/1	SHEET: 1/2	REV: A	DWG NO. : LP09121706

Mechanical:

REV.	ECN NO.	DESCRIPTION	DATE	APPD
A	REL		17/12/2009	



SUGGESTED PCB LAYOUT (TOP VIEW)



NOTES:

1. Designed to support application, such as SOHO (ADSL modems), LAN-on-Motherboard (LOM), hub and Switches.
2. Meets IEEE 802.3 specification
3. Connector Materials:
Housing: Thermoplastic UL94V-0
Contact/Shield: Copper alloy
Shield plating: Nickel
Contact plating: Gold 6 micro-inches min. In contact area.
4. Wave solder tip temperature: 265°C Max
Wave solder tip temperature time: 5 Sec Max

X:X	± 0.30	APPD:	LINK-PP INT'L TECHNOLOGY CO., LIMITED TITLE: RJ45 Connector with 1000 Base-T Integrated Magnetics PART NO.: LPJG0801GHNL	
X:XX	± 0.20	CHKD:		
X:XXX	± 0.05	DR: TOM		
ANGLES	$\pm 1^\circ$	UNIT: mm		
	SCALE: 2/1	SHEET: 2/2	REV: A	DWG NO.: LP09121706

Sales Department A-B2

Sales Engineer / Summer Ming - 明夏

Tel: 0086-752-3322915 Mob: 0086-180-2668-6530

Fax: 0086-752-3161926

E-mail: Summer@link-pp.com

www.link-pp.com

LINK- PP INT'L TECHNOLOGY CO., LIMITED

Jia An Industrial Park, Chenjiang Rd, Zhongkai Hightech Zone, Huizhou City,
516003, China




RoHS




Reach



LINK- PP INT'L TECHNOLOGY CO., LIMITED

Seris : LPJXXXXXXXX / LPXXXXXXXX / LPAXXXXXXX