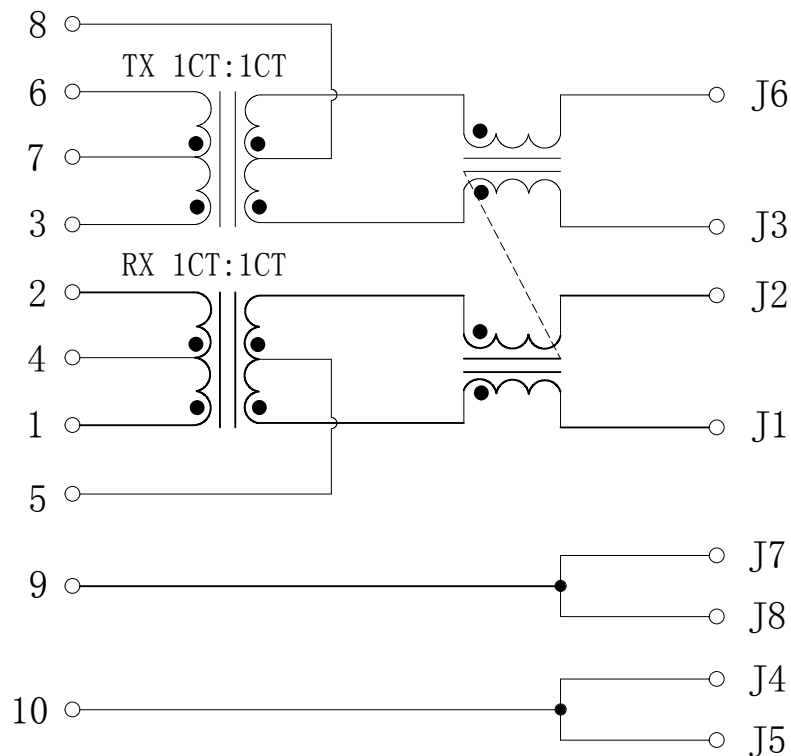


Schematic:

REV.	ECN NO.	DESCRIPTION	DATE	APPD
A	REL		2007/06/15	

PC BOARD CONNECTIONS



RJ45 CONNECTOR

Electrical Specifications @25°C

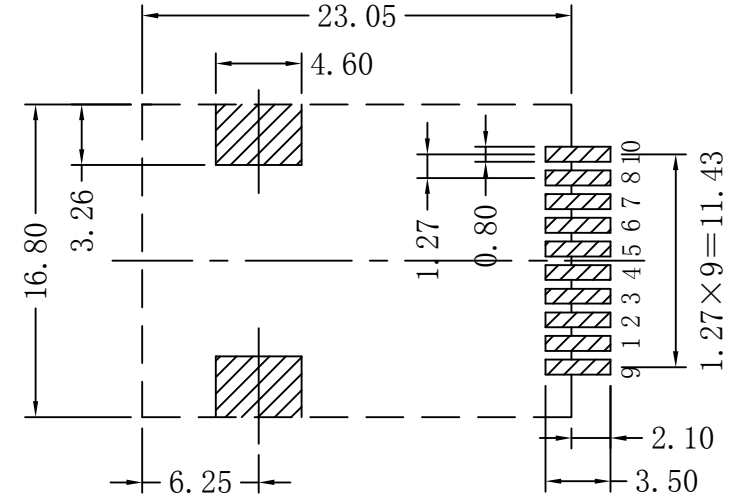
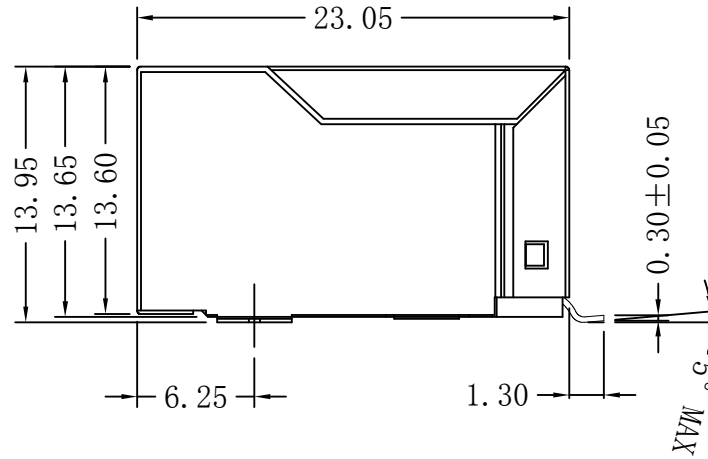
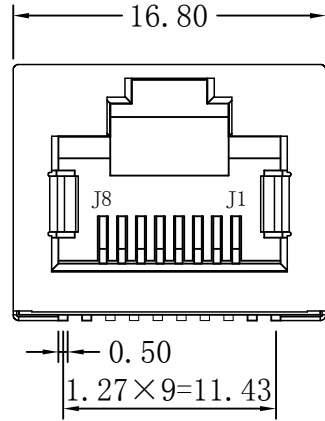
- Turns Ratio:
TX=1CT:1CT RX=1CT:1CT
- Inductance:350uH Min
@ 100KHz, 0.1Vrms, 8mADC.
- Insertion Loss:
1-100MHz: -1.2dB Max
- Return Loss(dB Min):
1-30MHz:-16 40MHz:-14
50MHz:-13 60-80MHz:-12
- Crosstalk(dB Min):
30MHz:-43 60MHz:-37
100MHz:-33
- DCMR(dB Min):
30MHz:-50 60MHz:-43
100MHz:-35
- Hipot: 1500Vrms @ 60Hz 1 MIN
- Operating Temperature: 0°C ~ +70°C.



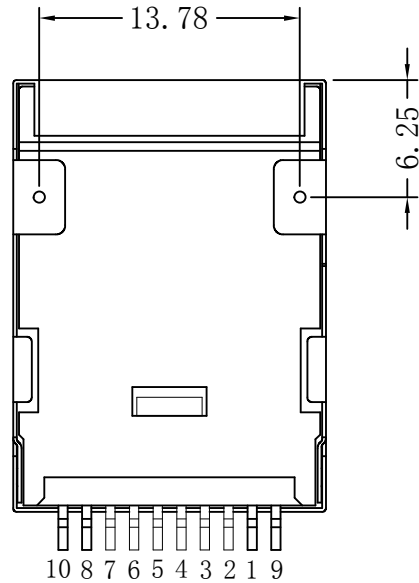
X:X	±0.30	APPD:	LINK-PP INT'L TECHNOLOGY CO., LIMITED	
X:XX	±0.25	CHKD:	TITLE: Surface Mount 1×1 Tab-Up Jack With 10/100 Magnetic For PoE Application	
X:XXX	±0.05	DR: TOM	PART NO.: LPJ19205DNL	
ANGLES	±1°	UNIT: mm		
	SCALE: 2/1	SHEET: 1/2	REV: A	DWG NO.: LP07161229

Mechanical:

REV.	ECN NO.	DESCRIPTION	DATE	APPD
A	REL		2007/06/15	



SUGGESTED PCB LAYOUT (TOP VIEW)



NOTES:

1. Designed to support application, such as SOHO (ADSL modems), LAN-on-Motherboard (LOM), hub and Switches.
2. Meets IEEE 802.3af specification
3. Support Power over Ethernet (PoE).
4. Designed to handle 600mA DC for PoE.
5. Connector Materials:
 Housing: Thermoplastic UL94V-0
 Contact/Shield: Copper alloy
 Shield plating: Nickel
 Contact plating: Gold 6 micro-inches min. In contact area.
6. Wave solder tip temperature: 265°C Max, 5 Sec Max.

X:X	±0.30	APPD:	LINK-PP INT'L TECHNOLOGY CO., LIMITED
X:XX	±0.25	CHKD:	
X:XXX	±0.05	DR: TOM	TITLE: Surface Mount 1×1 Tab-Up Jack With 10/100 Magnetic For PoE Application
ANGLES	±1°	UNIT: mm	PART NO.: LPJ19205DNL
	SCALE: 2/1	SHEET: 2/2	REV: A DWG NO.: LP07161229

Sales Department A-B2

Sales Engineer / Summer Ming - 明夏

Tel: 0086-752-3322915 Mob: 0086-180-2668-6530

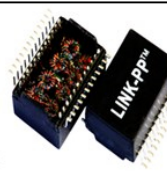
Fax: 0086-752-3161926

E-mail: Summer@link-pp.com

www.link-pp.com

LINK- PP INT'L TECHNOLOGY CO., LIMITED

Jia An Industrial Park, Chenjiang Rd, Zhongkai Hightech Zone, Huizhou City,
516003, China



LINK- PP INT'L TECHNOLOGY CO., LIMITED

Seris : LPJXXXXXXXX/ LPXXXXXXXX/ LPAXXXXXXX