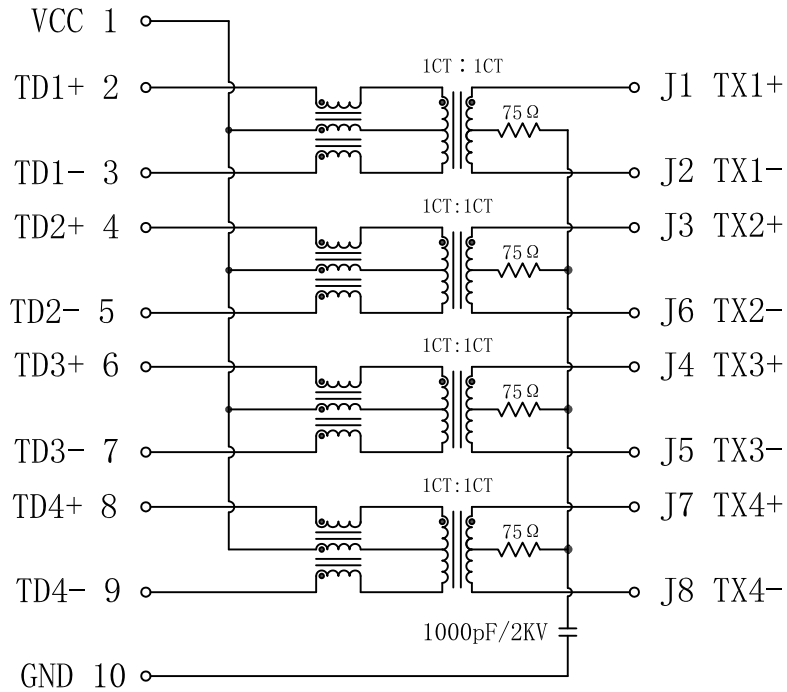


Schematic:

REV.	ECN NO.	DESCRIPTION	DATE	APPD
A	REL		17/12/2009	

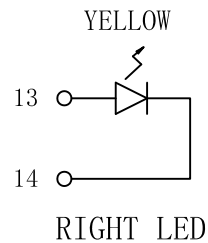
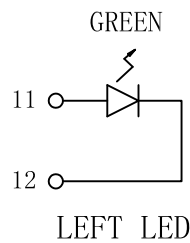
PCB CONNECTIONS



RJ45 CONNECTOR

ELECTRICAL SPECIFICATIONS @25°C

- Turn Ratio(±2%):
Pri : Sec = 1CT : 1CT
- Inductance OCL: 350uH MIN
@100KHz, 0.1V, 8mA DC Bias
- Insertion Loss:
-1.0dB MAX @ 1-100MHz
- Return Loss:
-16dB MIN @ 1-40MHz
-10dB MIN @ 40-100MHz
- Cross talk:
-50dB MIN @ 1MHz
-30dB MIN @ 10-100MHz
- Common Mode Rejection Ratio:
-50dB MIN @ 2MHz
-20dB MIN @ 30-200MHz
- Hipot Test: 1500Vrms MIN
- Operating Temperature Range: -40°C TO +85°C.

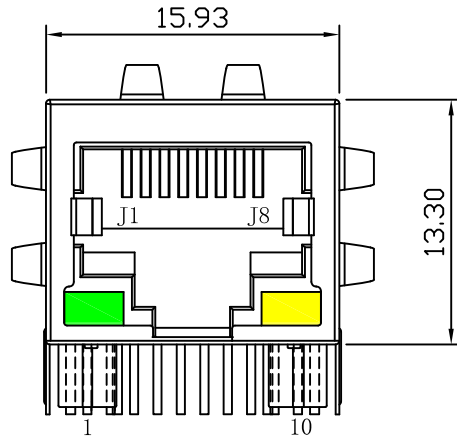


Emitting Color	λ p(nm)	VF@IF=20mA	IR @VR=5V
GREEN	565	1.8~2.4V	10 μ A max
YELLOW	585	1.8~2.4V	10 μ A max

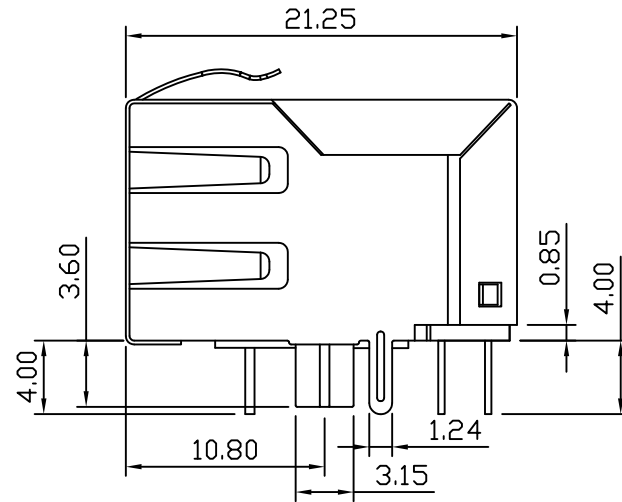
X:X ±0.30	APPD:	LINK-PP INT'L TECHNOLOGY CO., LIMITED
X:XX ±0.25	CHKD:	
X:XXX ±0.05	DR: TOM	TITLE: RJ45 Connector with 1000 Base-T Integrated Magnetics
ANGLES ±1°	UNIT: mm	PART NO.: LPJG4887GENL
	SCALE: 2/1	SHEET: 1/2
	REV: A	DWG NO.: LP09121716

Mechanical:

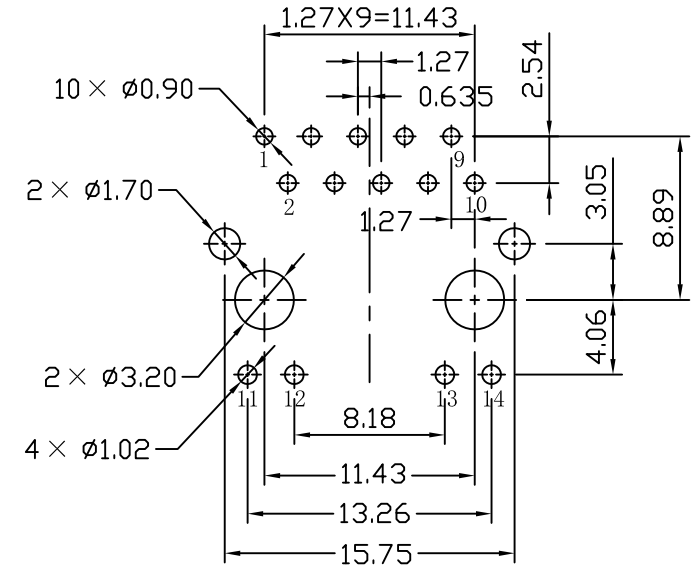
REV.	ECN NO.	DESCRIPTION	DATE	APPD
A	REL		17/12/2009	



Front Side View



Left Side View

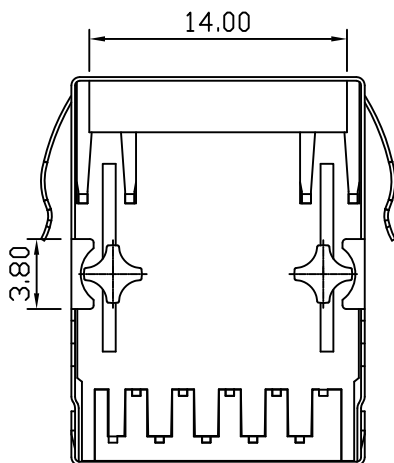


Suggested PCB Layout(Top View)

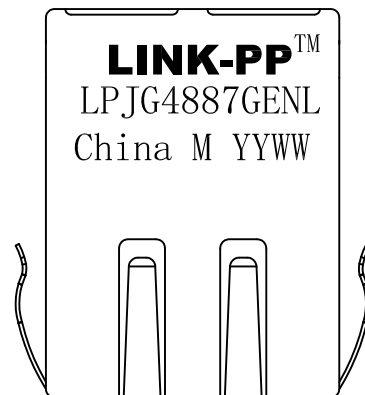


NOTES:

1. Designed to support application, such as SOHO (ADSL modems), LAN-on-Motherboard (LOM), hub and Switches.
2. Meets IEEE 802.3 specification
3. Connector Materials:
 Housing Material: Thermoplastic PA46+30%G.F UL94V-0
 Contact Material: Phosphor Bronze C5210R-EH Thickness=0.35mm
 Pins: Brass C2680R-H Thickness=0.35mm
 Shield: SUS 201-1/2H Thickness=0.2mm
 Contact plating: Gold 6 micro-inches min. In contact area.
4. Wave solder tip temperature: 265°C Max, 5 Sec.
5. UL Certification: File Number E484635.



Bottom Side View



Top Side View

X:X ±0.30	APPD:	LINK-PP INT'L TECHNOLOGY CO., LIMITED
X:XX ±0.25	CHKD:	
X:XXX ±0.05	DR: TOM	TITLE: RJ45 Connector with 1000 Base-T Integrated Magnetics
ANGLES ±1°	UNIT: mm	PART NO.: LPJG4887GENL
	SCALE: 2/1	SHEET: 2/2
	REV: A	DWG NO.: LP09121716