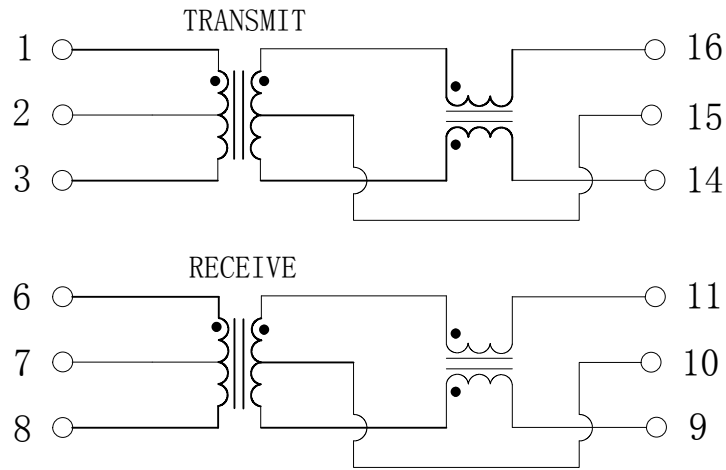


Schematic:

REV.	ECN NO.	DESCRIPTION	DATE	APPD
A	REL		19/03/2012	



Electrical Specifications @25

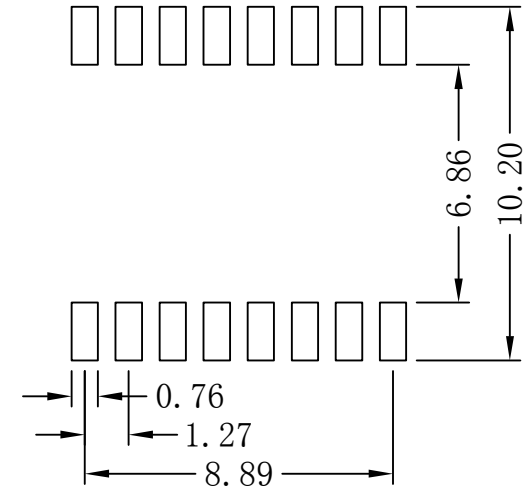
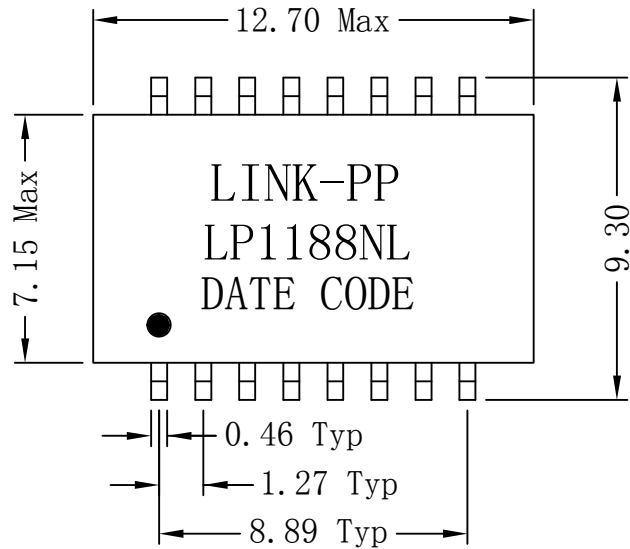
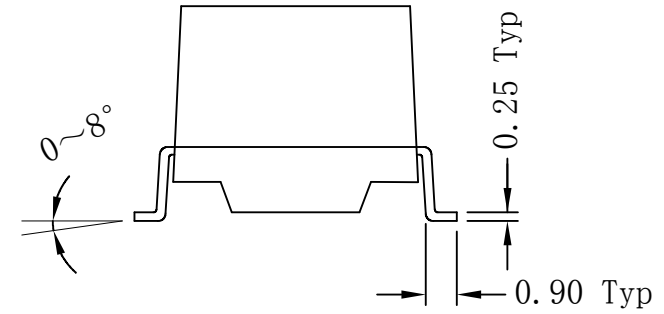
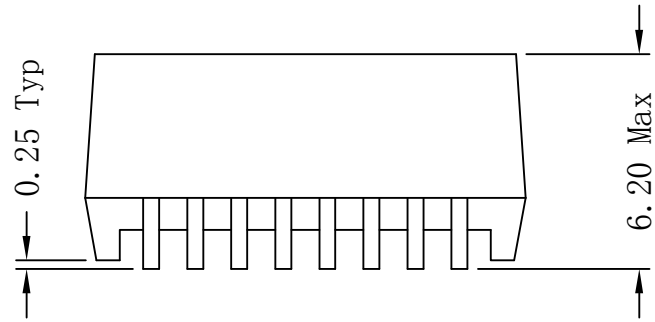
- OCL: 350uH MIN
@100KHz, 0.1Vrms, 8mADC
- Turns Ratio($\pm 3\%$):
TX=1CT : 1CT RX=1CT : 1CT
- Insertion Loss:
0.1-100MHz:-1.1dB MAX
- Return Loss(dB MIN @ 100 Ω):
30MHz:-20 60MHz:-14
80MHz:-11.5
- Crosstalk(dB MIN):
30MHz:-45 60MHz:-40
100MHz:-35
- DCMR(dB MIN):
30MHz:-42 60MHz:-37
100MHz:-33
- Hipot: 1500Vrms MIN
- Operating Temperature: $-40^{\circ}\text{C} \sim +85^{\circ}\text{C}$.



X:X	APPD:	LINK-PP INT'L TECHNOLOGY CO., LIMITED	
X:XX	CHKD:	TITLE: 10/100 Base-T Single Port Transformer Modules	
X:XXX	DR: JARED	PART NO.: LP1188NL	
ANGLES $\pm 1^{\circ}$	UNIT: mm		
	SCALE: 2/1	SHEET: 1/2	REV: A DWG NO.: LP10011229

Mechanical :

REV.	ECN NO.	DESCRIPTION	DATE	APPD
A	REL		19/03/2012	



SUGGESTED PAD LAYOUT

NOTES:

1. Designed to support application, such as SOHO (ADSL modems), LAN-on-Motherboard (LOM), hub and Switches.
2. With various Turns Ratios.
3. RoHS "NL" peak solder rating $260^{\circ}\text{C} \pm 5^{\circ}\text{C}$.



Dimensions: mm

Unless otherwise specified, all tolerances are ± 0.25

X:X	APPD:	LINK-PP INT'L TECHNOLOGY CO., LIMITED		
X:XX	CHKD:	TITLE: 10/100 Base-T Single Port Transformer Modules		
X:XXX	DR: JARED	PART NO.: LP1188NL		
ANGLES $\pm 1^{\circ}$	UNIT: mm			
	SCALE: 2/1	SHEET: 2/2	REV: A	DWG NO.: LP10011229

Sales Department A-B2

Sales Engineer / Summer Ming - 明夏

Tel: 0086-752-3322915 Mob: 0086-180-2668-6530

Fax: 0086-752-3161926

E-mail: Summer@link-pp.com

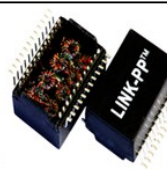
www.link-pp.com

LINK- PP INT'L TECHNOLOGY CO., LIMITED

Jia An Industrial Park, Chenjiang Rd, Zhongkai Hightech Zone, Huizhou City,
516003, China




RoHS



LINK- PP INT'L TECHNOLOGY CO., LIMITED

Seris : LPJXXXXXXXX / LPXXXXXXXX / LPAXXXXXXX